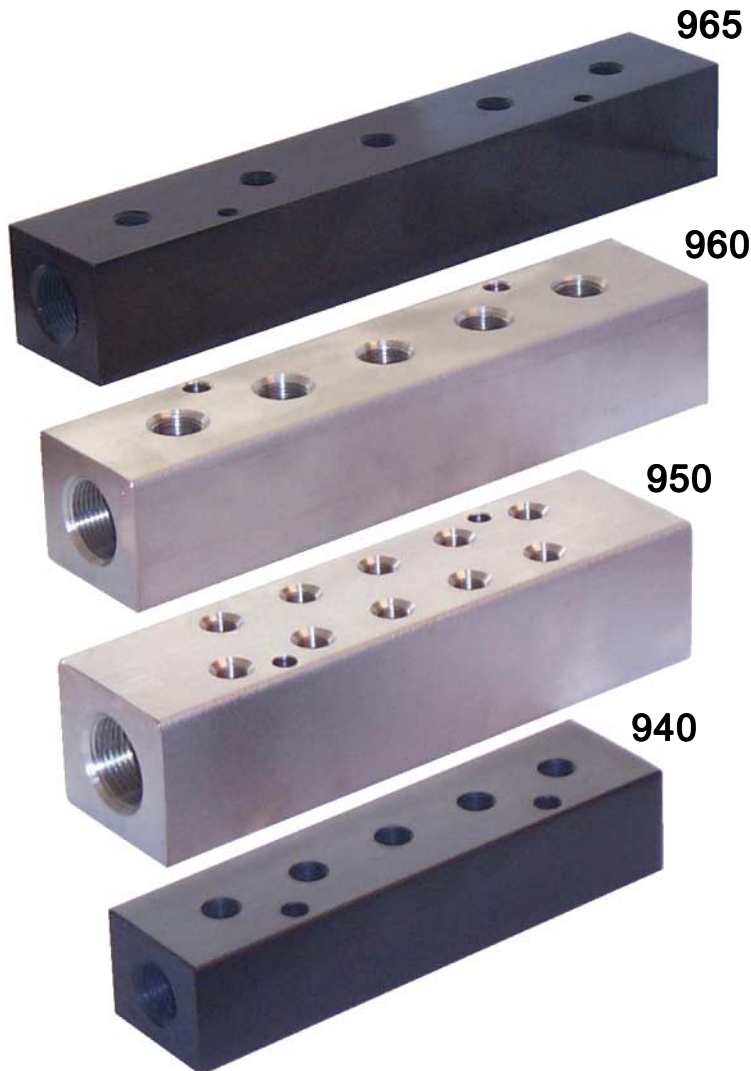


SERIES 900**ALUMINIUM & STAINLESS STEEL MANIFOLD BLOCKS**

HNL ENGINEERING LTD
Instruments & Controls
Precision Machining
Manifolds & Valves

Teesside Industrial Estate
 Thornaby-on-Tees TS17 9LT UK

Tel: +44 (0)1642 765553

Fax: +44 (0)1642 762899

Email: sales@hnl-uk.com

Website: www.hnl-uk.com

MANUFACTURED IN THE U.K.

Replace complex assemblies of pipes and fittings with aluminium or 316 stainless steel manifold blocks.

- **5, 10 OR 20 OUTLETS**
- **COMPREHENSIVE RANGE**
- **READILY AVAILABLE**
- **SAVE SPACE**
- **REDUCE COSTS**

Manifold blocks are available for the distribution of gaseous and liquid media in petro-chemical, marine and general industrial applications.

These complement HNL's range of **MINIFOLDS** which use the same manifold blocks fitted with brass or stainless steel valves.

Manifold blocks have tapped inlet connections at both ends, connect to one and plug the other, or connect manifolds in series. The tapped outlet connections can be piped directly using an appropriate fitting, or may be fitted with a valve or gauge.

Their compact construction makes them ideal for use in panels and confined spaces.

SERIES 940

Are available in 5 ways or 10 ways and have a 15mm nominal bore. Outlet connections are Rp1/8 (1/8" BSP.P) or 1/8" NPT INT.

SERIES 950

Provide twice as many outlets as the Series 940 for a given length of manifold block. They are available in 10 ways or 20 ways and have a 25mm nominal bore. Outlet connections are Rp1/8 (1/8" BSP.P) or 1/8" NPT INT.

SERIES 960

Are available in 5 ways or 10 ways with a 25mm nominal bore. Outlet connections are Rp3/8 (3/8" BSP.P) or 3/8" NPT INT.

SERIES 965

Are available in 5 ways or 10 ways with a 25mm nominal bore. Outlet connections are Rp1/4 (1/4" BSP.P) or 1/4" NPT INT.

For information on **MINIFOLDS** please refer to technical datasheets TD900 MAL (aluminium) and TD900 MST or TD900 MBV (stainless steel).

HNL can also provide custom made manifold blocks, options include -

- User specified valves
- Bare thread sized or centres
- Different number of ways

Please consult HNL Sales Support.

MINIFOLD® is a registered trademark of HNL.

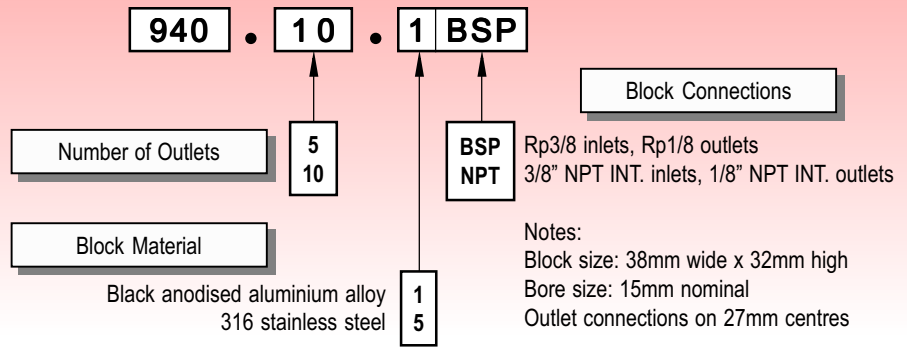
QUALITY ASSURANCE

Designed and manufactured by HNL in accordance with BS EN ISO 9001:2000.



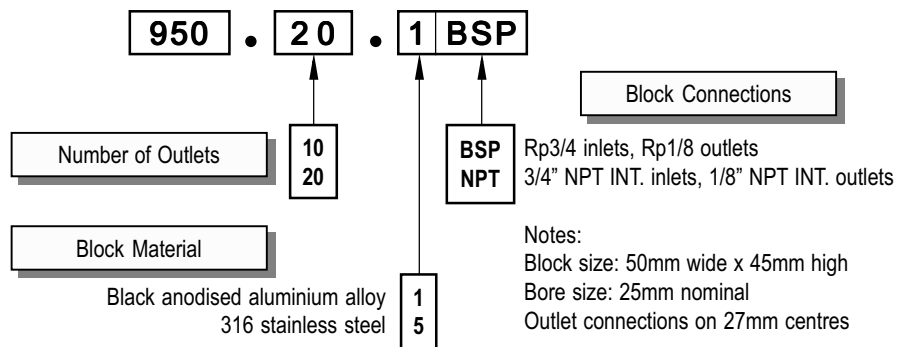
940 TECHNICAL SPECIFICATION

INLET THREAD :	3/8" BSP.P or NPT INT.	
OUTLETS :	1/8" BSP.P or NPT INT.	
NUMBER OF VALVES :	5	10
LENGTH L (mm) :	150	285
FIXING CENTRES F (mm) :	81	216
WEIGHT ALUMINIUM (kg) :	0.4	0.75
WEIGHT ST.ST. (kg) :	1.2	2.3



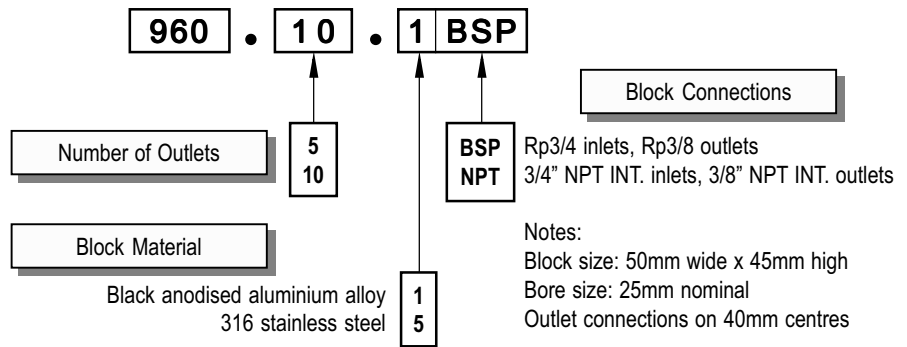
950 TECHNICAL SPECIFICATION

INLET THREAD :	3/4" BSP.P or NPT INT.	
OUTLETS :	1/8" BSP.P or NPT INT.	
NUMBER OF VALVES :	10	20
LENGTH L (mm) :	185	320
FIXING CENTRES F (mm) :	95	230
WEIGHT ALUMINIUM (kg) :	0.8	1.4
WEIGHT ST.ST. (kg) :	2.6	4.5



960 TECHNICAL SPECIFICATION

INLET THREAD :	3/4" BSP.P or NPT INT.	
OUTLETS :	3/8" BSP.P or NPT INT.	
NUMBER OF VALVES :	5	10
LENGTH L (mm) :	228	428
FIXING CENTRES F (mm) :	120	320
WEIGHT ALUMINIUM (kg) :	1.1	2.0
WEIGHT ST.ST. (kg) :	3.2	6.0



965 TECHNICAL SPECIFICATION

INLET THREAD :	3/4" BSP.P or NPT INT.	
OUTLETS :	1/4" BSP.P or NPT INT.	
NUMBER OF VALVES :	5	10
LENGTH L (mm) :	284	554
FIXING CENTRES F (mm) :	162	432
WEIGHT ALUMINIUM (kg) :	1.3	2.6
WEIGHT ST.ST. (kg) :	3.9	7.6

