

SERIES 900**STAINLESS STEEL DISTRIBUTION MANIFOLDS****940****950****960**

Replace complex assemblies of valves and fittings with stainless steel **MINIFOLDS**.

- **5, 10 OR 20 OUTLETS**
- **CORROSION RESISTANT**
- **COMPREHENSIVE RANGE**
- **ALSO AVAILABLE IN ANODISED ALUMINIUM**
- **READILY AVAILABLE**
- **SAVE SPACE**
- **REDUCE COSTS**

Originally developed for instrument air supplies within control panels, **MINIFOLDS** are now available for the distribution of gaseous and liquid media in petro-chemical, marine and general industrial applications.

Minifold blocks have tapped inlet connections at both ends, connect to one and plug the other, or connect minifolds in series. Their compact construction makes them ideal for use in panels and confined spaces.

Series 940

Use a thermoplastic valve spindle in a stainless steel body and are available in 5 ways or 10 ways with a 15mm nominal bore. Outlet connections are ready to use, push in your tube and tighten up the nut.

Series 950

Use the same output valves as the Series 940 but give twice as many outputs for a given length of manifold block. They are available in 10 ways or 20 ways with a 25mm nominal bore. Outlet connections are ready to use, push in your tube and tighten up the nut.

Series 960

A larger version of the Series 940, also available in 5 ways or 10 ways with a 25mm nominal bore. The outlet connections are suitable for 10mm metal or nylon tubes.

For information on **316 stainless steel ball-valve MINIFOLDS** please refer to technical datasheet TD900 MBV.

For information on **anodised aluminium MINIFOLDS** please refer to technical datasheet TD900 MAL.

HNL can also provide custom made manifold blocks, options include -

- User specified valves
- Bare manifold blocks
- Different number of ways

Please consult HNL Sales Support.

MINIFOLD® is a registered trademark of HNL.

QUALITY ASSURANCE

Designed and manufactured by HNL in accordance with BS EN ISO 9001:2000.

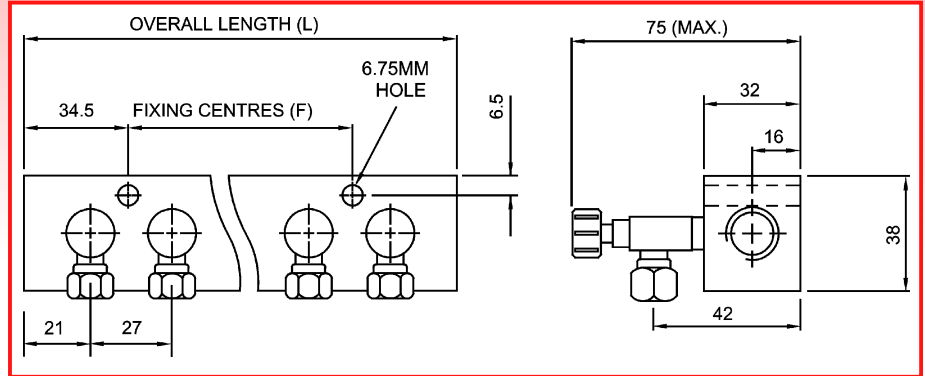
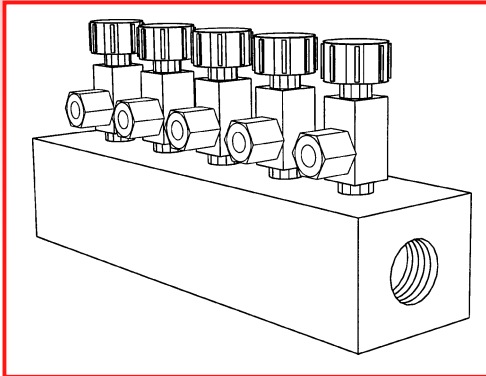


MANUFACTURED IN THE U.K.

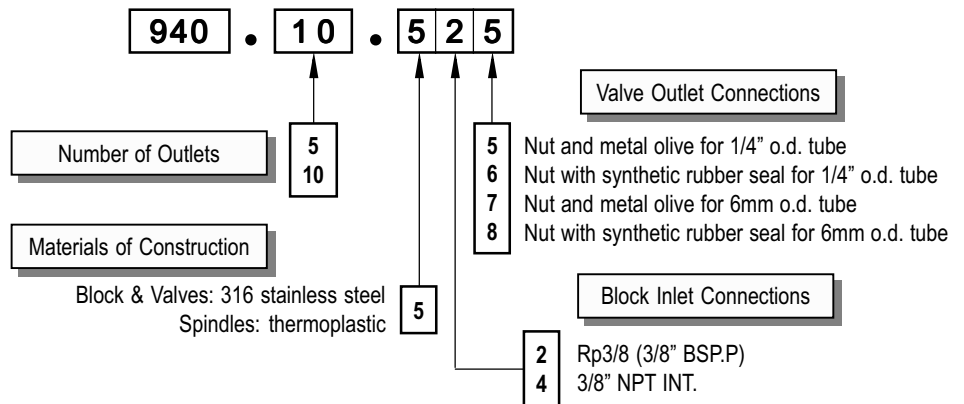


SERIES 940 & 950 MINIFOLDS SPECIFICATIONS & CODING

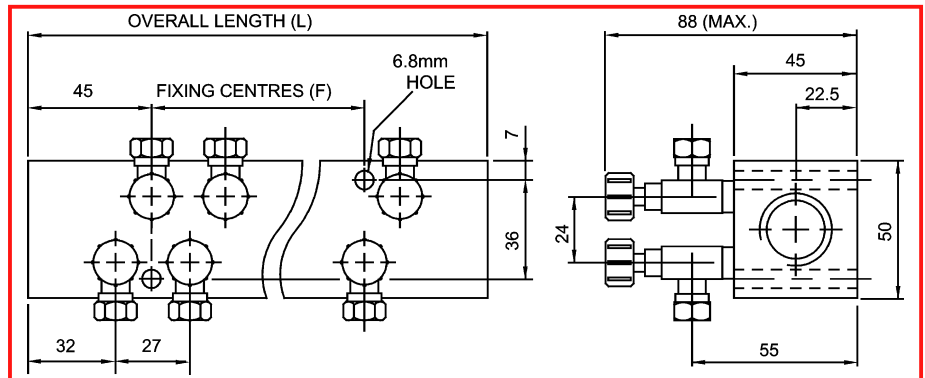
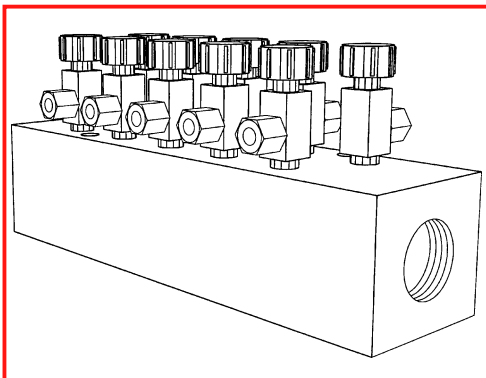
SERIES 940 MINIFOLDS



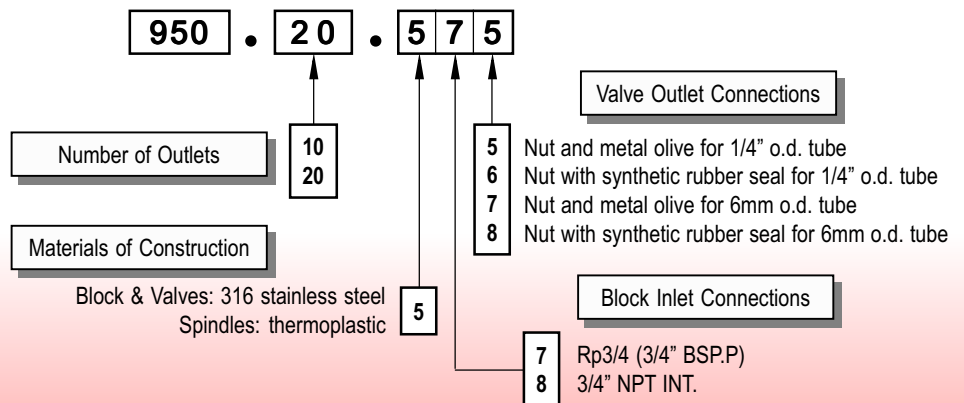
TECHNICAL SPECIFICATION	
BORE SIZE :	15mm nominal
INLET THREAD :	3/8" BSP.P or NPT INT.
OUTLETS :	1/4" or 6mm tube nuts
NUMBER OF VALVES :	5 10
LENGTH L (mm) :	150 285
FIXING CENTRES F (mm) :	81 216
WEIGHT (kg) :	1.42 2.72



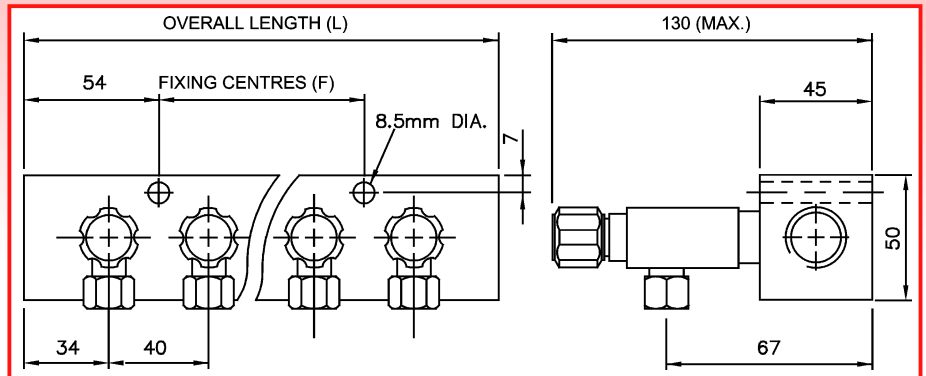
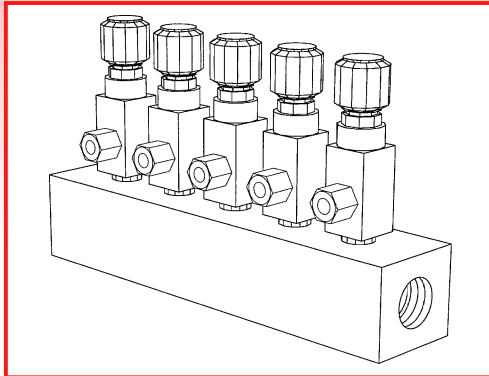
SERIES 950 MINIFOLDS



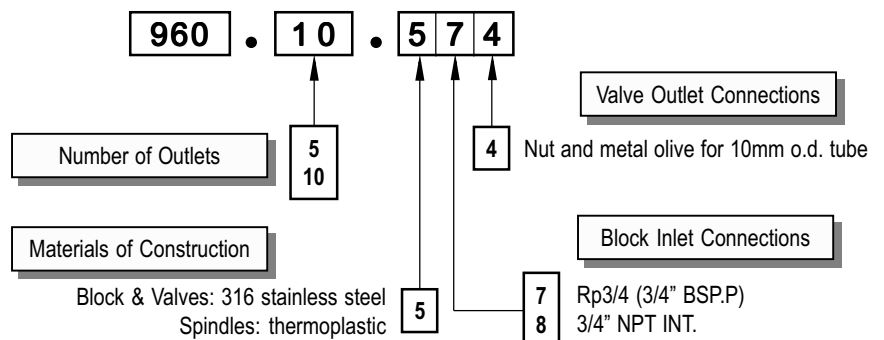
TECHNICAL SPECIFICATION	
BORE SIZE :	25mm nominal
INLET THREAD :	3/4" BSP.P or NPT INT.
OUTLETS :	1/4" or 6mm tube nuts
NUMBER OF VALVES :	10 20
LENGTH L (mm) :	185 320
FIXING CENTRES F (mm) :	95 230
WEIGHT (kg) :	2.90 5.10



SERIES 960 MINIFOLDS



TECHNICAL SPECIFICATION		
BORE SIZE :	25mm nominal	
INLET THREAD :	3/4" BSP.P or NPT INT.	
OUTLETS :	10mm tube nuts	
NUMBER OF VALVES :	5	10
LENGTH L (mm) :	228	428
FIXING CENTRES F (mm) :	120	320
WEIGHT (kg) :	4.00	7.40



SERIES 900 MINIFOLDS – TECHNICAL SPECIFICATIONS

Materials:

Minifold blocks and valve bodies are manufactured in 316 stainless steel with a natural finish.

Minifold valve spindles are thermoplastic and coloured red for blocks with BSP threads, or grey for blocks with NPT threads. The spindles are fitted with nitrile seals.

Operating Pressure / Temperature:

Vacuum to 10 Bar / -25°C to 90°C.

Process Media:

Air or any clean gas, vapour or liquid which is compatible with the materials of construction.

Series 940 & 950 tube nuts:

These minifolds can be piped with metal, nylon or plastic tube.

For metal or nylon tube use valve outlet codes 5 or 7. The tube nut is supplied with a conventional olive, the ends of which compress into the tube wall.

For soft wall plastic or nylon tube use valve outlet codes 6 or 8. The tube nut is fitted with a synthetic rubber seal, which compresses into the tube wall.

Series 960 nuts:

These minifolds can be piped with metal, nylon or plastic tube.

Thread standards:

BSP.P is a parallel thread to BS EN ISO 228.

NPT is a tapered thread to ANSI B1.20.1.

Additional Options:

- Viton seals.
 - Stainless steel valve spindle.
 - Minifolds for oxygen duty.
 - Minifold supplied plugged at one end.
 - Increased pressure or temperature ratings.
- Please consult HNL Sales Support.

Aluminium Minifolds - see data sheet TD900 MAL



Stainless steel Minifolds - see data sheet TD900 MBV



HNL ENGINEERING LTD
Instruments & Controls
Precision Machining
Manifolds & Valves

Teesside Industrial Estate
Thornaby-on-Tees TS17 9LT UK
Tel: +44 (0)1642 765553
Fax: +44 (0)1642 762899
Email: sales@hnl-uk.com
Website: www.hnl-uk.com

HNL Engineering Ltd comprises three Divisions offering a wide range of products & services which includes:

Instruments & Controls

Pressure, DP and Temperature Switches & Transmitters. Rotary and linear positioners. Flow regulators & Bubblers. Control Systems.

Precision Machining

Turning, Milling, Drilling, Tapping, Sawing, Welding, Painting, Anodising. From small to large batch sizes in a wide range of materials.

Manifolds & Valves

Wide range of distribution manifolds in both anodised aluminium and stainless steel. Stainless steel ball valves.

The information contained in this data sheet may be changed without notice.